

ELECTRIC POTATO WARMER ON OPEN COMPARTMENT

Project
Rev.:
Zone:
Location:



CODICE
CR1014619

MODELLO
Q70SPV/E400

SERIE
QUEEN 7

GENERAL CHARACTERISTICS

For those who do not want to give up the quality and solidity of a Queen stove, the Series 7 offers a 700 mm depth and more compact dimensions to fit any room, burners available in various configurations and wattages, enhanced by the refined Scotch Brite finish.

Thanks to its extreme compositional freedom, every composition is possible: you can combine Model i tops with accessorizable oven and neutral bases and hygienic finishes; create customized solutions by matching and attaching equipment back to back, sideways "flush" perfectly sealed, or "bridge" structures, offering high-level solutions that always perfectly meet the chef's needs. As a total guarantee, all equipment that make up a Queen7 kitchen are certified in compliance with international standards, including CE, GAR, AGA and others.



TECHNICAL SPECIFICATIONS

Superior infrared resistance.
Lower resistance under the tank.
Temperature adjustable from 30 to 90 °c by thermostat.

Equipment certified for low voltage directive 2014/35/EU according to the international CB scheme.

Thanks to the jet-proofing certification obtained through specific tests, knobs and under-knobs can be washed at the end of the working day without compromising functionality and safety.

The front bar is a comfortable foothold for the cook; it keeps a safe distance from the worktop and thus protects against accidental collisions with what is resting on the worktops and at the same time the handles.

ELECTRIC POTATO WARMER ON OPEN COMPARTMENT

Project
Rev.:
Zone:
Location:



CODICE
CR1014619

MODELLO
Q70SPV/E400

SERIE
QUEEN 7

Technical Information

SPECIFICATION	DATA
MATERIAL	CR1014619
DEFINITION	Q70SPV/E400 SCALDAPATATE EL. M40 A/G
COMMERCIAL LINE	QUEEN
SUPPLY	ELECTRICS
DIM. WIDTH	400 mm
DIM. PRODUCTIVITY	700 mm
DIM. HEIGHT	870 mm
NET WEIGHT	31 Kg
VOLUME (net)	0,244
PACKAGE LENGTH	400 mm
PACKAGE WIDTH	810 mm
PACKAGING HEIGHT	1160 mm
PACKAGE VOLUME	0,384 m3
GROSS PACKING WEIGHT	40 Kg
STANDARD POWER SUPPLY	220-240V 1N
FREQUENCY	50-60 Hz
ELECTRICAL POWER	2 kW
IP GRADE	IPX4
CERTIFIED MODEL	Q70SPV/E400

ELECTRIC POTATO WARMER ON OPEN COMPARTMENT

Project
 Rev.:
 Zone:
 Location:

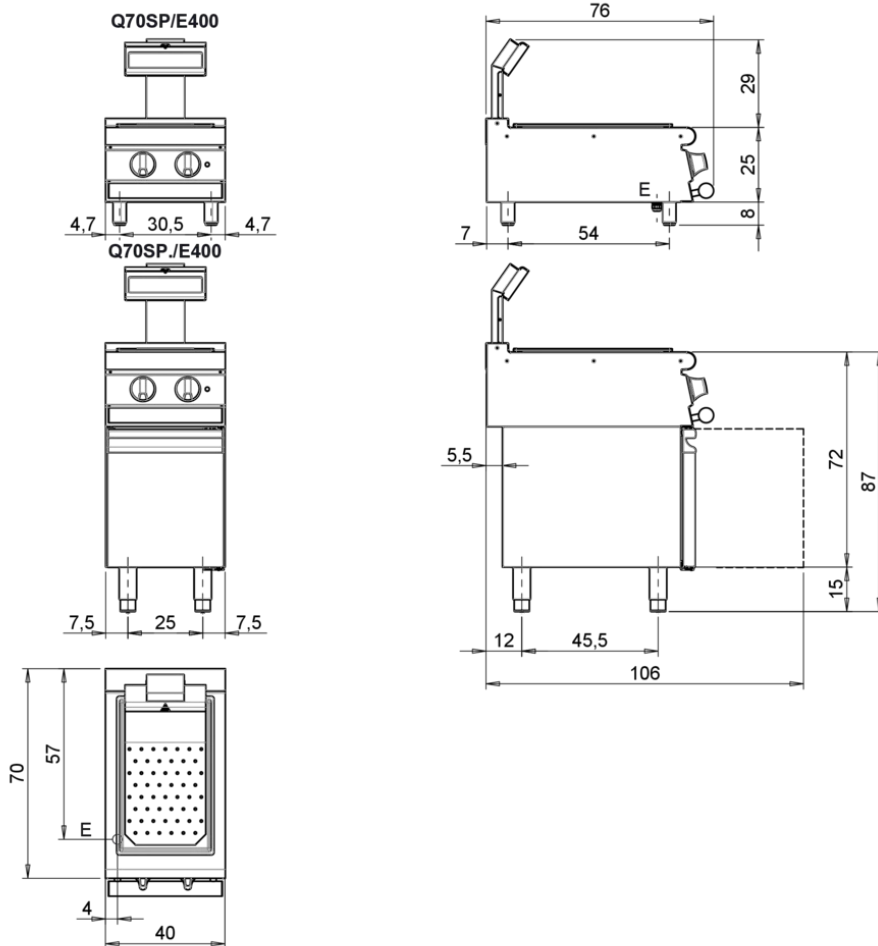


CODICE
CR1014619

MODELLO
Q70SPV/E400

SERIE
QUEEN 7

MISURE IN cm - DIMENSIONS IN cm - ABMESSUNGEN IN cm- MESURES EN cm
 MEDIDAS EN cm - MATEN IN cm - DIMENSIONES EN cm



Legenda - Legende - Key - Légende - Leyenda - Legenda - Legenda

E	Pressacavo entrata linea elettrica - Stopfbuchse - Electric cable stress relief - Presse étoupe de câble él - Pisacable - Elektrische kabelwartel - Entrada cabo eléctrico	G	Arrivo gas - Gasanschluss - Gas connection - Arrivée gaz - Union de gas - Gasaansluiting - Ligação gás
S	Attacco scarico acqua - Wasserablauf - Water outlet - Vidange de l'eau - Desaguadero - Wateraftapaansluiting - Junção descarga água	H20	Arrivo acqua - Wasseranschluss - Water inlet - Arrivée eau - Union de agua - Wateraansluiting - Junção alimentação água
S1	Scarico vasca - Wannenabflusrohr - Pan outlet - Vidange du bac - Descarga cuba - Water toevoer - Descarga da cuba	A1	Calda - Heiss - Warm - Chaude - Caliente - Warm - Morno
S2	Valvola di depressione - Anti-depression valve - Unterdruck ventil - Soupape de dépression - Válvula de dépresión - Onderdrukklep - Válvula de depressão	A2	Fredda - Kalt - Cold - Froid - Fria - Koude - Frio
S3	Scarico acqua intercapedine - Wasserablauf Zwischenraum - Jacket water drain Evacuation eau double envelope - Descarga de agua intersticios - Afvoer water tussenruimte - Descarga de água na marmitta com Sistema de aquecimento indirecto	L	Rubinetto di livello - Level tap - Wasserhahn - Robinet de niveau - Grifo de nivel - Niveaakraan - Torneira de nivel
S4	Scarico - Abflusrohr - Drain - Tuyau d'évacuation - Tubo de drenaje - Aftapbuis - Tubulação de dreno		

ELECTRIC POTATO WARMER ON OPEN COMPARTMENT

Project
Rev.:
Zone:
Location:



CODICE
CR1014619

MODELLO
Q70SPV/E400

SERIE
QUEEN 7

PRODUCT'S RANGE PLUS



Hot container also with upper infrared heating element.