

FLIP

CL1001

Stainless Steel

- Excellent quality with Stainless Steel material
- Touch switch
- Rust less, anticorrosive, and durable.
- 360-degree swivel design and can be adjusted to any angle you like.
- Double-sided mirror with 3x magnification.
- All metal construction with a polished chrome surface
- LED bulbs last the entire lifetime of the mirror
- Easy to install, comes with complete screw fixings.
- Elegant design, would be suitable for family, hotel, bathroom, etc.



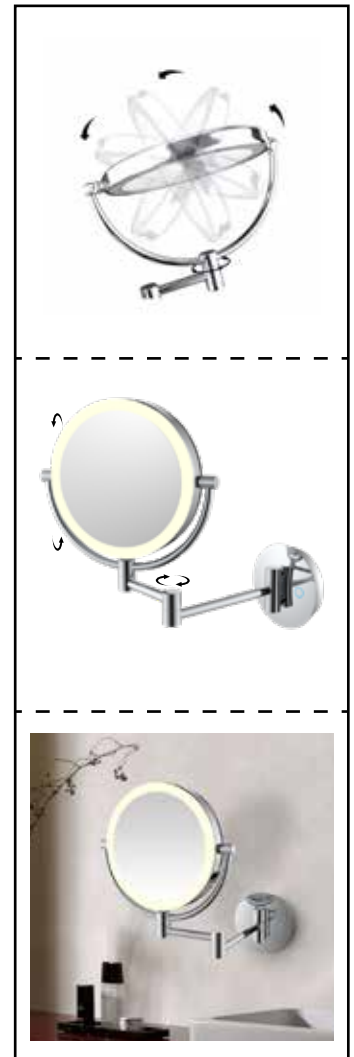
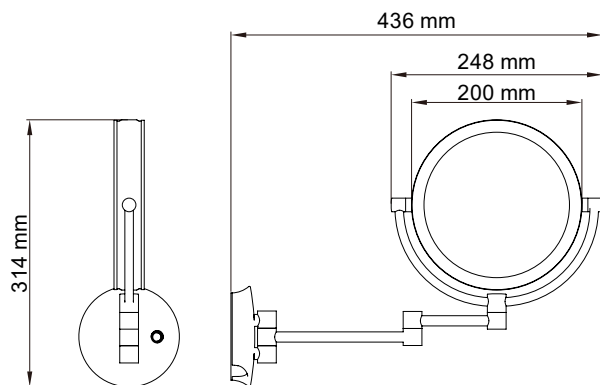
Product Dimension

Size (L x W x H)	436 x 100 x 314 mm
Diameter (Ø)	17 cm
Swivel	360°

Additional Information

Material	Stainless Steel
Color	Chrome-plating / Brushed gold / Matt black
Shape	Round

Drawing



Box contents: MIRROR, INSTALLATION GUIDE