

# HIGH EFFICIENT RIGID MOUNTED INDUSTRIAL WASHER EXTRACTORS

**RX**  
RANGE

RX 180	RX 240	RX 280
18KG 40LB	24KG 53LB	28KG 62LB



## FEATURES

- Rigid mounted, normal spin, 100G factor
- Stainless steel drum and tub
- Patented soap hopper
- High capacity water inlets (RX280)
- Large drain valve (Ø 76 mm)
- Easy access to all vital parts from the front
- Large door opening for easy loading & unloading

## OPTIONS

- 200G factor execution
- XControl - Fully programmable
- Anthracite grey painted panels
- Stainless steel front and side panels
- USB plug (on the back panel)
- Prep for coin and Central Pay
- Liquid soap connection
- Liquid soap pumps
- Steam heating version
- High capacity water inlets (RX180, RX240)
- ECO version : lower kW rating on request
- 3<sup>rd</sup> water inlet



ERGONOMIC  
CONSTRUCTION



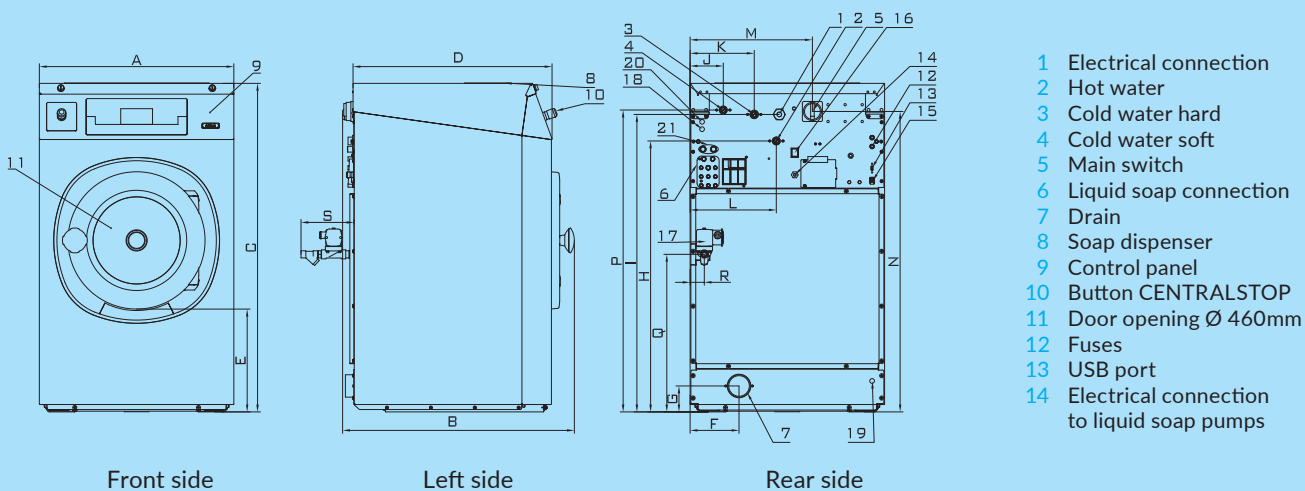
LARGE DOOR  
OPENING



LOW WATER  
AND ENERGY  
CONSUMPTION

TYPE		RX180	RX240	RX280
<b>INNERDRUM</b>				
Capacity 1:09	kg (lb)	20(44)	27(60)	31(68)
Capacity 1:10	kg (lb)	18(40)	24(53)	28(62)
Volume	litres	180	240	280
Diameter	mm	750	750	750
<b>DRUM SPEED</b>				
Wash	rpm	42	42	42
Extraction	rpm	490 (690)*	490 (690)*	490 (690)*
<b>G-FACTOR</b>				
		100 (standard) 200*	100 (standard) 200*	100 (standard) 200*
<b>HEATING</b>				
ELECTRICITY (KW) very low-low-std-higher-special 1 -2-3	kW	-----std 12 - higher 18-----	----std 18-----	-----std 21,9-----
Steam	bar	1-8	1-8	1-8
Hot water	°C	90	90	90
Sound pressure level	dB (A)	< 65	< 65	< 65
Water valves connection	BSP	3/4"	3/4"	3/4"
Water pressure	kPa	100-800	100-800	100-800
Rec. water pressure	kPa	300-500	300-500	300-500
Water inlet	l/min	20	20	20
Drain valve	outer Ø mm	76	76	76
Flow amount with drain valve	l/min	210	210	210
Steam valve connection	BSP	1/2"	1/2"	1/2"
Steam pressure	kPa	100-800	100-800	100-800
<b>DIMENSIONS</b>				
Size H×W×D	mm	1410×890×915	1410×890×1060	1410×890×1135
Net weight	kg	255 (315)*	275 (330)*	290 (355)*
<b>TRANSPORT DATA</b>				
Packed H×W×D	mm	1550×925×970	1550×925×1130	1550×925×1190
Gross weight	kg	270 (335)*	290 (355)*	305 (385)*

\* 200 G-factor execution



## DIMENSIONS

	A	B	C	D	E	F	G	H	I	J	K	L	M	N	P	Q	R	S
RX180	890	915	1410	815	465	280	130	1212	1297	113	218	303	625	1270	1317	528	54	120
RX240	890	1060	1410	960	465	280	130	1212	1297	113	218	303	625	1270	1317	528	54	120
RX280	890	1135	1410	1035	465	280	130	1212	1297	113	218	303	625	1270	1317	528	54	120
	width	depth	height															



The Primus preserves the right to change the machines and the specification in this leaflet at any time, without prior notice. Details and photographs are only for information and never binding.  
www.primuslaundry.com

Primus by Alliance Laundry Systems