

ACTION ROUND PEDAL BIN - 3L

PDAR4131

Silver



- Patented product
- Finger print resistant
- Soft close mechanism
- Clever inner ring system: The bin liner is kept hidden for attractive & discreet bin
- Easy cleaning
- Non-slip pedal surface
- Made up of eco-friendly air cylinder
- Wide foot contact surface
- Strong support & durable



Product Dimension

Size (L x W x H)	168 x 530 x 268 mm
Capacity	3L

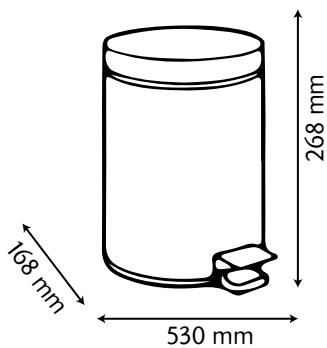
Additional Information

Material	Stainless Steel
Color	Silver / Gold / Black
Shape	Round

Shipping Details

Carton (W x D x H)	265 x 215 x 310 Mm
Packaging	01 pieces
Gross Weight	1.33 kg / 2.94 lbs
Net Weight	0.995 kg / 2.194 lbs

Drawing



Box contents: DUO SEPARATION BIN