

## UPster H 500 – Hood type dishwasher

MEIKO UPster delivers the warewashing technology for a new generation. State-of-the-art technology at a price that start-ups can afford. And the beauty of UPster is that you just connect it up and you're ready to go! Couldn't be easier!

**Execution for: United Arab Emirates**  
**Country of production: China**

### Hood type dishwashing machine with drain pump

Fresh water line: Soft warm water 0-3°dH  
3-phase current: 3N PE 400V 50Hz

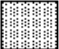


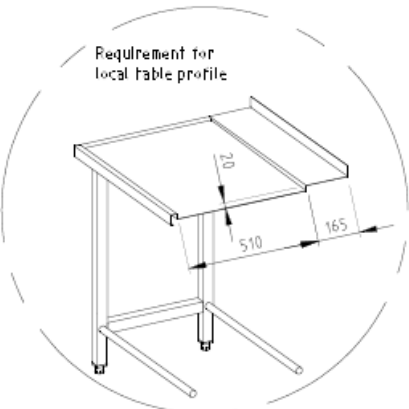
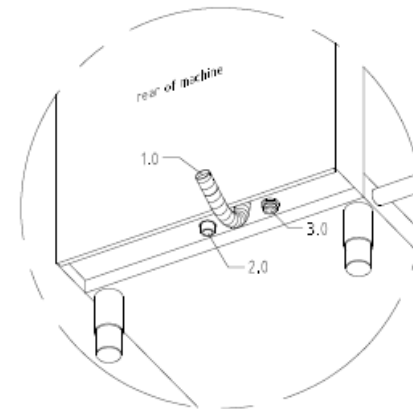
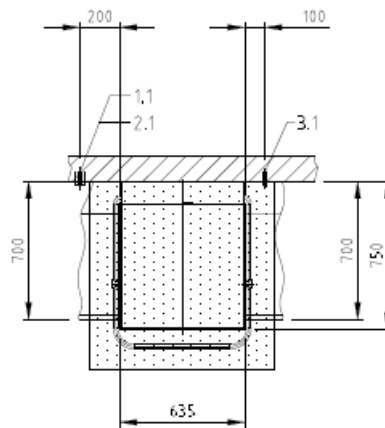
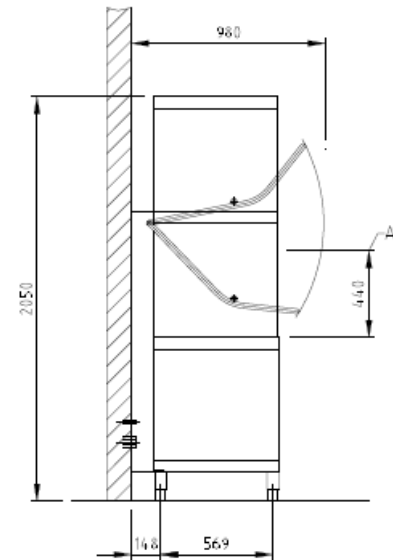
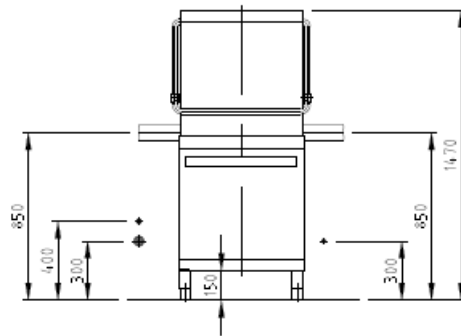
## Technical data


<b>Rack capacity/h (theoretical)</b>	60 / 40 / 17 racks/h
<b>Programme cycle</b>	60 / 90 / 210 s
<b>Rack dimension</b>	500 x 500 mm (540 x 500)
<b>Entry height</b>	440 mm
<b>Dimensions (W x Hmin x D)</b>	635 ( 687) x 1470 x 750 (850) mm (with hood rod)
<b>Electrical feeding cable</b>	3-phase current 3N PE 400V 50Hz* Total connected load: 12.0 kW max. rated current: 21.7 A
<b>Local fuse protection</b>	25 A
<b>Machine protection class</b>	IP X4
<b>Equipment</b>	Automatic program start MIKE control Infrared interface for wireless communication Drain pump Boiler safety device Automatic self-cleaning when tank is drained
<b>Fresh water supply</b>	Minimum flow pressure 250 kPa / 2.5 bar in front of solenoid valve Maximum pressure: 500 kPa / 5.0 bar Max. supply water temperature 60 °C
<b>Flow rate</b>	min. 0.3 l/s at 250 kPa/2.5 bar flow pressure
<b>Final rinse water quantity</b>	3 liters/cycle
<b>Boiler</b>	Contents: 9 l Heater: 9.00 kW Temperature: 83 °C

<b>Wash tank</b>	Filling: 22.0 l Heater: 2.00 kW Temperature: 60 °C
<b>Wash pump</b>	Performance: 0.75 kW
<b>Dosing of rinse aid</b>	Potential free terminals (changeable to 230V) for local dosing system
<b>Detergent dosage</b>	Potential free terminals (changeable to 230V) for local dosing system
<b>Material</b>	Cladding: 1.4301 Wash tank: 1.4301 Boiler: 1.4404
<b>Heat emission</b>	for 20 programme cycles/h total: 2.1 kW perceptible: 1.4 kW latent: 0.7 Kw
<b>Ventilation flow rate</b>	540 m <sup>3</sup> /h
<b>Steam emission</b>	1.0 kg/h
<b>Emission sound pressure level at the workplace (LpA)</b>	65 dB
<b>Net / gross weight</b>	98.0 kg / 130.0 kg (standard packaging)
<b>Packaging dimensions (W x H x D)</b>	730 x 1700 x 870 mm (standard packaging)

\*Note:  
Electrical equipment suitable for supply voltage:  
3N PE 400 V 50 HZ (3N PE 380-415 V 50 Hz)

1.0	machine connection: Drain line hose fitted as odour trap in interior of machine	DN 22
1.1	drain (max. 700 mm above of the floor level)	DN 50
2.0	machine connection: fresh water line	G 3/4"
2.1	soft warm water 45 – 60°C max. 0.54 mmol/l CaCO <sub>3</sub> / 53.4 ppm/CaCO <sub>3</sub> (max.3°GH) approx. water flow rate 0.3 l/s min. flow pressure: 250 lPa / 2.5 bar upstream of the solenoid valve, maximum pressure: 500 lPa / 5 bar stopcock and fine screen = 25 µm	DN 20 G 3/4 a
	machine connection: electricity connecting cable	5G 4mm <sup>2</sup>
3.1	electricity supply to the machine	3N PE 400V ~ 50Hz
	nominal current / - capacity	21,7 A / 12,0 kW
	⚡ Voltage equalising cable	Fuse protection: 25 A
Electrical equipment suitable for supply voltage: 3N PE 380-415 V 50 Hz / 1N PE 220-240 V 50 Hz		
heat load of the wash room in case of 20 program cycles /h		total ca. 2,1 kW perceptible ca. 1,4 kW latent ca. 0,7 kW
all cables, pipes etc leaving machine		1,6 m
the position of the connection piping can also be mirror-inverted		
Machine Equipment		
(A) Entry height		
Potential free terminals (changeable to 230V) for local dosing system		
Drain pump		
Feeding table on silts		
Discharge table on silts		
	Recommended suction area according to German VDI 2052 or any local regulations have to be observed to determine ventilation of wash areas	



 MERO MIDDLE EAST FZE G4 Diamond Park, Building#6, office #206 P.O. Box 207945, U.A.E.-Dubai Phone +971 43 415172 E-MAIL: waf@merko.de	Revision <b>DISHWASHER                  STANDARD DRAWING / ARE</b>		Type <b>UPSTER H 500</b>
	TYPE: CROCKERY Drawing-no. <b>S00080963</b>		Date 17.05.2020 m-iplan
Scale 1:25		Date 17.05.2020 m-iplan	
ARE		EN	